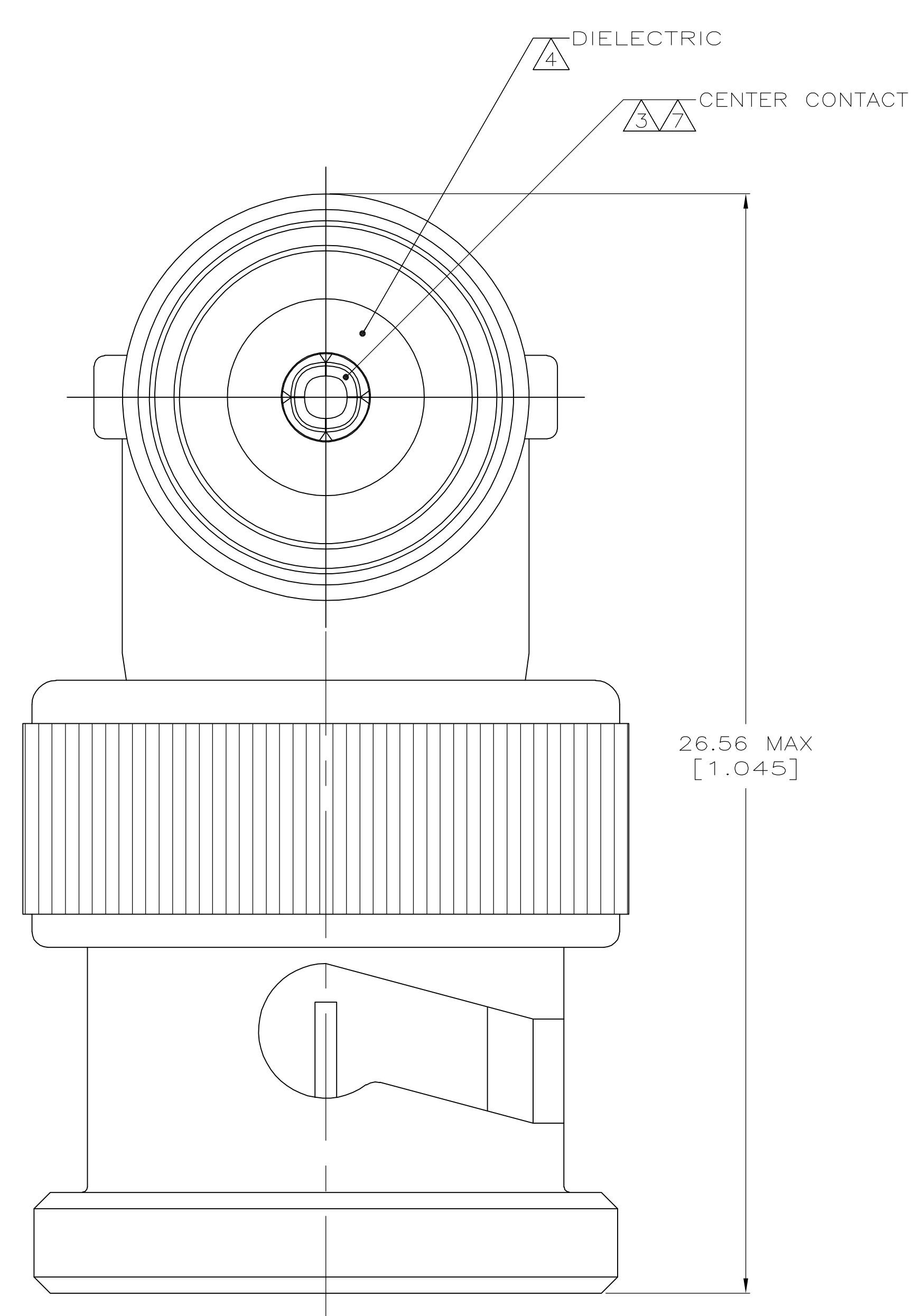
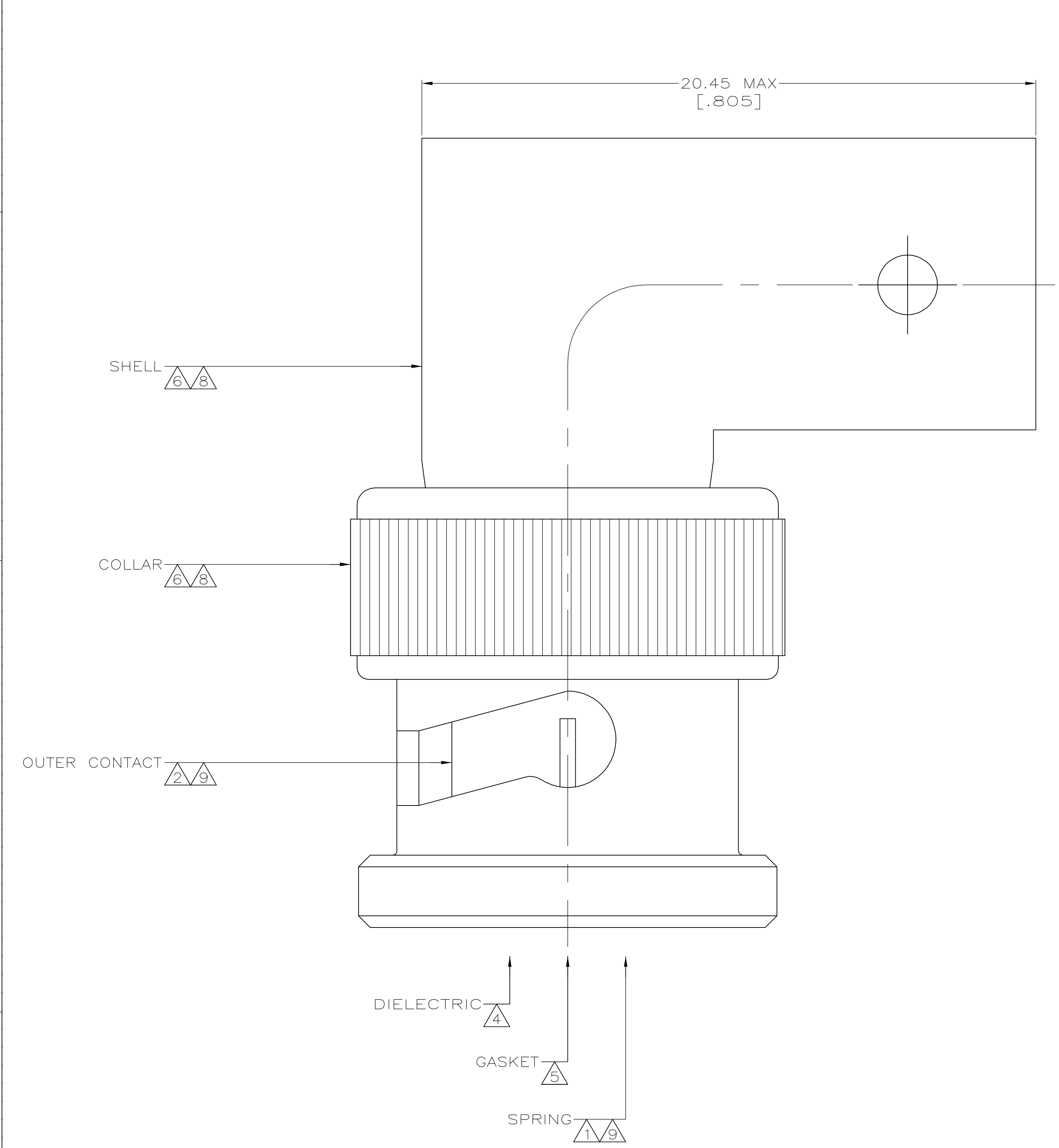


- △ CARBON STEEL
- △ BRASS PER ASTM-B-16
- △ PHOSPHOR BRONZE PER ASTM-B-139
- △ POLYMETHYLPENTENE: GENERAL PURPOSE
- △ SILICONE RUBBER PER ZZ-R-765
- △ ZINC DIE CAST PER ASTM-B-86
- △ GOLD PLATE PER ASTM-B-488, 0.38μm [.000015] MIN THICKNESS
- △ NICKEL PLATE PER QQ-N-290, 1.27μm [.000050] MIN THICKNESS
- △ NICKEL PLATE PER QQ-N-290, 2.54μm [.000100] MIN THICKNESS



5414666-1
 PART NUMBER

THIS DRAWING IS A CONTROLLED DOCUMENT.		DWN L. VARELA - 18APR2005	Tyco Electronics Corporation Harrisburg, PA 17105-3608	
DIMENSIONS: mm [INCHES]		CHK J. HAVENER 18APR2005	APPROVED J. LIPPERT 18APR2005	
TOLERANCES UNLESS OTHERWISE SPECIFIED:		NAME PLUG-JACK ADAPTER, RIGHT ANGLE, BNC		
0 PLC ± -		PRODUCT SPEC		
1 PLC ± -		APPLICATION SPEC		
2 PLC ± -		SIZE A1		
3 PLC ± -		CAGE CODE 00779		
4 PLC ± -		DRAWING NO 5414666		
ANGLES ± -		RESTRICTED TO		
FINISH SEE NOTES		WEIGHT -		
MATERIAL SEE NOTES		CUSTOMER DRAWING		
		SCALE 10:1 SHEET 1 OF 1 REV A		